

PRICE LIST REFERENCE GUIDE

Effective: 10/19/98

© 1998 TEAM LOSI, INC.

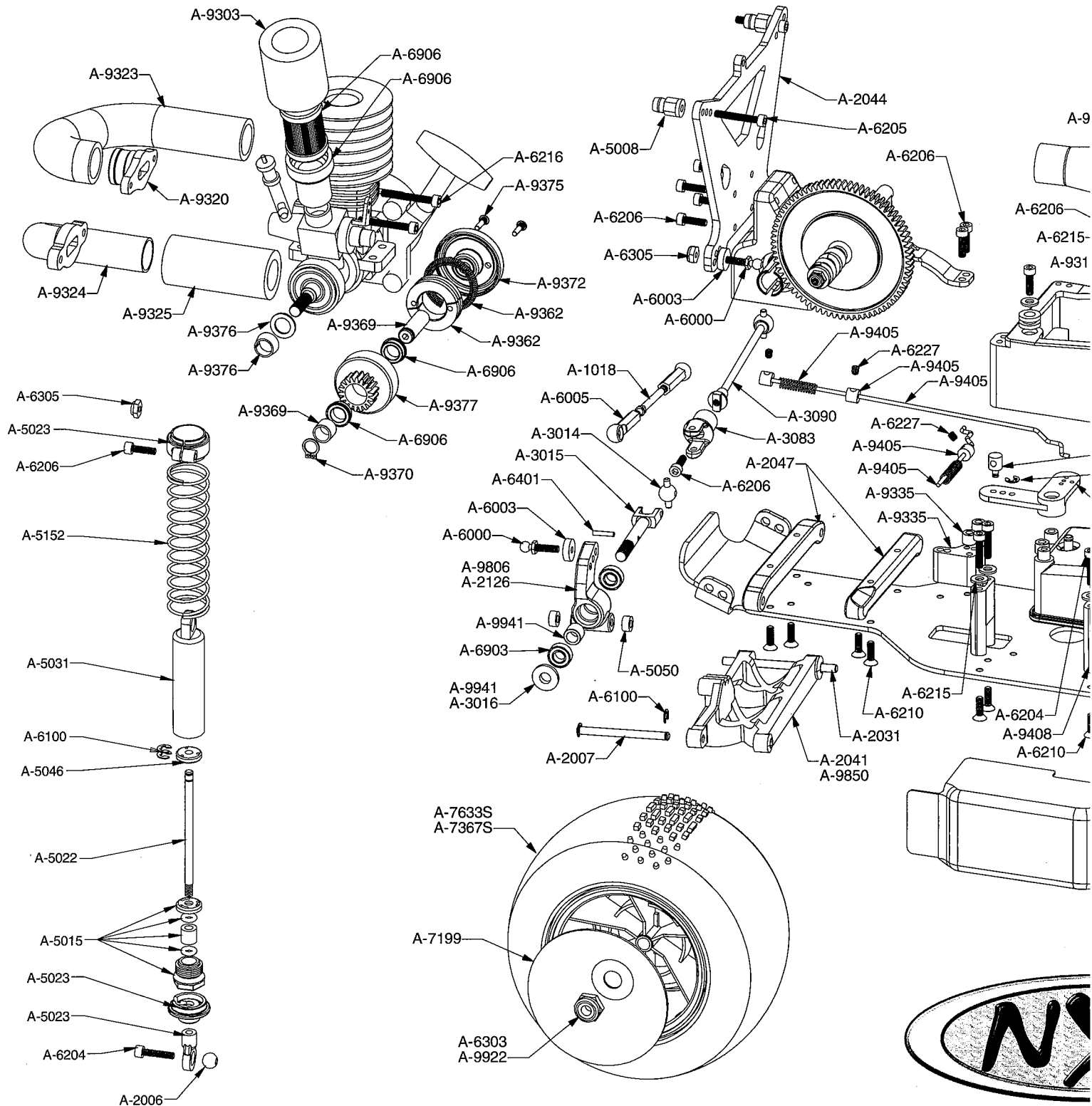
NOT RESPONSIBLE FOR TYPOGRAPHICAL ERRORS

ALL PRICES SUBJECT TO CHANGE WITHOUT NOTICE

TEAM LOSI PERFORMANCE CHOICE OF CHAMPIONS

A-0810	NXT Gas Truck Kit with Bushings/Bearings	\$314.95
A-0820	NXT Racer Gas Truck Kit with Bearings	\$439.95
A-0830	NXT Graphite Plus Gas Truck Kit with Bearings	\$499.95
A-1003	Front Bulkhead	\$5.00
A-1006	1/8" x .690" Hinge Pin	\$3.00
A-1007	Inner Front Hinge Pins	\$3.00
A-1008	Front Outer Hinge Pin/King Pin (LXT, GTX, NXT)	\$3.00
A-1016	Front Suspension Arms (LXT, GTX, NXT)	\$7.00
A-1017	Front Spindles & Carriers (LXT, GTX, NXT)	\$6.00
A-1018	Long L/R Threaded Tie Rod Set 1-7/8"	\$4.50
A-1020	Front Shock Tower (NXT)	\$7.00
A-1022	NXT Front Axles (for XX-T Wheels)	\$6.00
A-1507	Rigid Steering Arm Set	\$3.00
A-1510	Steering Sector Arm w/Screws	\$5.50
A-1514	Steering Post w/Hardware (GTX, NXT)	\$5.00
A-1615	Short Ball Cups & Threaded Rods	\$2.75
A-2005	Adjustable L/R Threaded Rods w/Ends (1.125")	\$4.50
A-2006	Swivel Suspension Balls .250"	\$4.00
A-2007	Hinge Pin 1.42" (XXT, GTX, NXT)	\$3.00
A-2031	Inner Rear Hinge Pin (GTX, NXT)	\$3.00
A-2041	Rear Suspension Arms (LXT, GTX, NXT)	\$7.00
A-2044	Rear Shock Tower (NXT)	\$8.00
A-2047	Rear Suspension Mount Set (NXT)	\$4.00
A-2126	'CR' Rear Hub Carrier Set with Spacers	\$6.00
A-3014	Universal Pivots	\$4.50
A-3015	Rear Axle, Spacer & Pin	\$6.00
A-3016	Rear Axle Spacer & Pin	\$1.25
A-3060	'XX' Slipper Shaft, Spacer & Hardware	\$5.50
A-3062	Transmission Screw Set (GTX, NXT)	\$2.00
A-3065	Silicone Differential Compound	\$2.50
A-3066	Teflon™ Thrust Bearing/Assembly Grease	\$2.50
A-3070	'XX' Retro Trans Drive Rings	\$2.00
A-3072	'XX' Trans Diff Tube	\$2.25
A-3073	'XX' Trans Outdrive Cup/Diff Half	\$7.00
A-3075	'XX' Trans Upper Gear, Idler, Shaft (2.19:1)	\$6.00
A-3076	'XX' Trans Diff Gear Only (2.61:1)	\$2.00
A-3077	'XX' Trans Upper Gear, Idler, Shaft (2.61:1)	\$6.00
A-3078	'XX' Trans Diff Screw, Hardware, Seal Set	\$3.50
A-3082	DogBone/Drive Shaft w/Yoke (LXT, GTX, NXT)	\$8.50
A-3083	Yoke & Screw for Dog Bone/Drive Shaft	\$3.50
A-3084	Transmission Case Set (GTX, NXT)	\$6.00

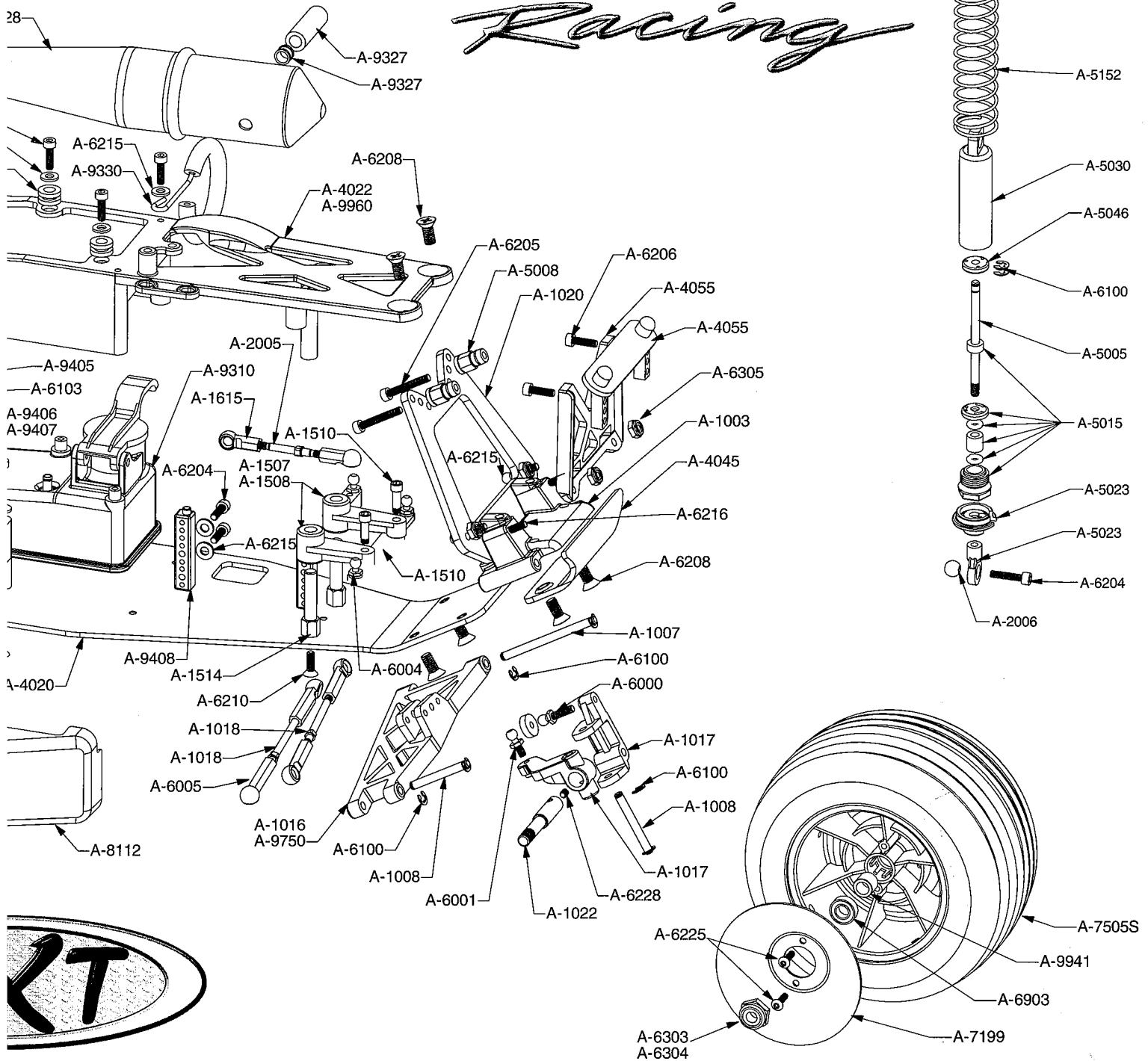
A-3087	Slipper Shaft Spacer (GTX, NXT)	\$3.75
A-3098	Diff Thrust Bearing with Carbide Balls (Molded)	\$5.00
A-3122	Slipper Gear Plate	\$6.00
A-3123	Slipper Friction Pad	\$3.00
A-3124	Slipper Springs, Cup, Washer	\$3.00
A-3125	1/4" x 9/16" Thrust Bearing Assy	\$2.50
A-3132	Slipper Back Plate (XX, XX-T)	\$6.00
A-3134	Slipper Back Plate/Brake Drum (GTX, NXT)	\$6.00
A-3916	76-Tooth, 32-Pitch Spur Gear (GTX, NXT)	\$4.00
A-3920	76-Tooth, 32-Pitch Spur Gear Dual-Disk Slipper (NXT)	\$4.00
A-4002	Antenna Kit	\$2.25
A-4003	Antenna Caps	\$1.25
A-4004	Servo Tape	\$1.75
A-4020	Chassis, Black Anodized (GTX, NXT)	\$30.00
A-4022	Center Chassis Brace (GTX, NXT)	\$10.00
A-4026	NXT Machined Transmission Brace (NXT)	\$6.00
A-4029	Foam Pad for Receiver Battery Mounting	\$1.50
A-4045	Front Bottom Mount Bumper (LXT, SE, GTX, NXT)	\$4.95
A-4055	Adjustable Front Body Mount (LXT, GTX, NXT)	\$5.00
A-5005	Shock Shaft .9"	\$3.00
A-5008	Upper Shock Mount Bushings	\$2.00
A-5015	Double O-Ring Shock Cartridge (Front/Rear)	\$2.00
A-5022	Shock Shaft 1.2"	\$3.00
A-5023	Spring Clamp & Cups	\$2.50
A-5030	.9" Shock Body Hard Anodized	\$8.00
A-5031	1.2" Shock Body Hard Anodized	\$8.00
A-5046	Teflon™ Shock Pistons #56, Red	\$3.00
A-5150	2.5" Spring 2.3 Rate (Pink)	\$2.50
A-5152	2.5" Spring 2.6 Rate (Red)	\$2.50
A-5224	SILATECH Competition Shock Fluid 30wt	\$3.50
A-6000	Ball Studs w/Rod Ends 4-40 x 3/8"	\$3.50
A-6001	Ball Studs w/Rod Ends 4-40 x 3/16"	\$3.50
A-6003	Foam Things (Linkage Rings)	\$1.50
A-6005	H.D. 30o Plastic Rod Ends	\$5.00
A-6030	Assembly Wrench	\$1.50
A-6100	E-Clips 1/8"	\$1.25
A-6102	C-clips, .1875" (3/16") - Large	\$1.75
A-6103	E-Clips 3/32"	\$1.25
A-6200	4-40 x 1/8" Cap-Head Shoulder-Screw	\$3.00
A-6201	3mm x 8mm Screws w/Washers (Motor)	\$3.00
A-6204	4-40 x 1/2" Cap Head Screws	\$1.50



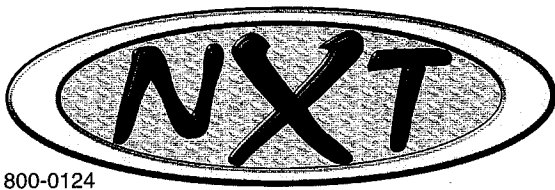
A-6205	4-40 x 3/4" Cap-Head Screw	\$1.50	A-6300	4-40 Hex Nuts	\$1.00
A-6206	4-40 x 3/8" Cap-Head Screws	\$1.50	A-6303	10-32 Locking Nuts (4ea Nylon & Steel)	\$1.50
A-6208	8-32 x 3/8" Aluminum Flat Head Screws	\$1.50	A-6304	10-32 Aluminum Locking Nuts Low Profile	\$2.25
A-6209	8-32 x 1/2" Aluminum Flat-Head Screws	\$1.50	A-6305	4-40 Locking Nuts Low Profile	\$3.50
A-6210	4-40 x 3/8" Flat-Head Screws	\$1.50	A-6306	4-40 Aluminum Mini Nuts	\$3.50
A-6215	#4 Narrow Washers (Gold)	\$1.25	A-6400	Pins, U-Joint	\$1.25
A-6221	4-40 x 5/8" Cap-Head Screw	\$1.50	A-6401	Pins, Wheel & Gear	\$1.25
A-6225	2-56 x 5/16" Button Head Screws	\$2.00	A-6903	3/16" x 3/8" Ball Bearing	\$5.50
A-6226	4-40 x 7/8" Flat-Head Screw	\$2.00	A-6905	3/16" x 5/16" Bearings	\$7.50
A-6227	4-40 x 1/8" Hardened Setscrews	\$1.80	A-6906	1/4" x 3/8" Flanged Ball Bearing	\$12.00
A-6228	5-40 Hardened Setscrews	\$1.80	A-6907	5mm x 8mm Ball Bearings (XX Trans)	\$6.50
A-6230	Shim Assortment - 3/16", 1/4", 1/2"	\$2.50	A-6908	1/2" x 3/4" Bearings w/Teflon Seal (XX Trans)	\$13.50
234	4-40 x 1/4" Button-Head Screws	\$2.50	A-6909	1/8" x 3/8" Bearings (XX Trans)	\$6.00

TEAM LOSI

Racing



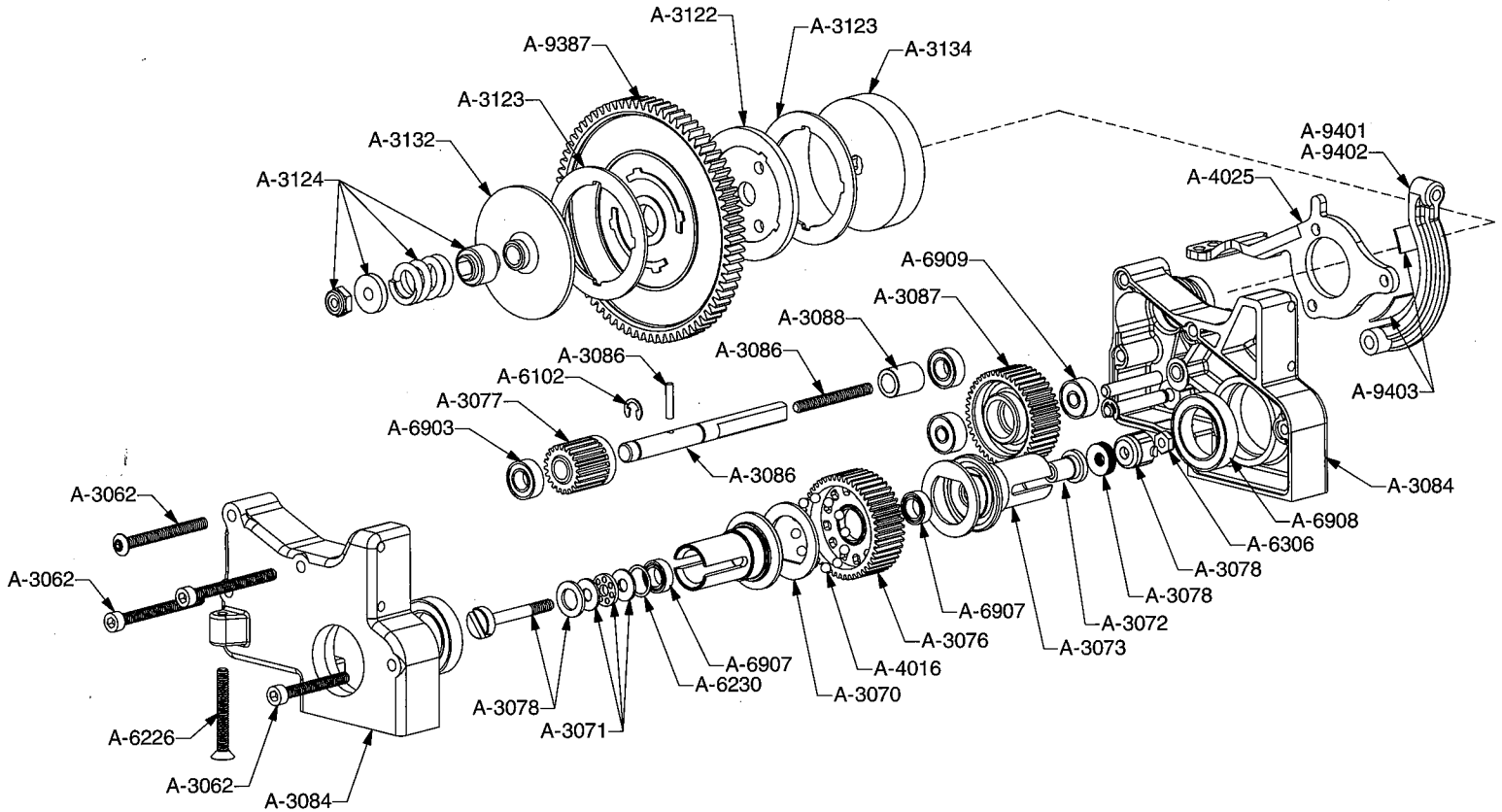
A-6923 'XX' Differential Bushing Set	\$1.75	A-8201 Body Washers, Snap-Fit	\$1.80
A-6930 Complete Bushing Set (GTX, NXT)	\$9.00	A-8344 NXT Sticker Sheet	\$5.50
A-6951 3/32" Carbide Diff Balls	\$10.95	A-9302 Paper Air Dilter Element	\$3.00
A-7077 Front Disk Wheels w/Caps - (Yellow) (XXT, NXT)	\$7.00	A-9303 Foam Pre-Filter	\$2.50
A-7174 Rear Disk Wheels w/Caps (Yellow) (LXT, XXT, NXT)	\$7.00	A-9304 Air Filter Boot (Rubber)	\$2.50
A-7199 Truck Disk Wheel Cap Set (XX-T, NXT)	\$4.00	A-9310 Fuel Tank (75 cc)	\$12.00
A-7505S Front DIRECTIONAL Tires (Silver) w/Foam Liners	\$17.95	A-9313 Fuel Tank Mounting Set.....	\$3.00
A-7633S Rear Reptile Truck Tires (Silver) w/Foam Liners	\$17.95	A-9315 Fuel Tubing (24")	\$2.50
A-7636S Rear STEP-PIN Tires (Silver) w/Foam Liners	\$17.95	A-9320 Aluminum Exhaust Flange/Manifold	\$8.00
A-7699 Truck CLOUDS Foam Liners	\$2.00	A-9323 Silicone Exhaust Header	\$8.00
A-8022 NXT.Truck Body w/ Masks	\$19.00	A-9324 180° Aluminum Header for Non-PS Engines	\$12.00
A-8112 NXT Receiver Cover	\$3.00	A-9325 Silicone Exhaust Coupler Tubing.....	\$2.50
A-8200 Body Clips	\$1.25	A-9327 Exhaust Stinger & Stinger Sleeve	\$2.50



800-0124



Team Losi, Inc., 13848 Magnolia Ave., Chino, CA 91710
 Phone (909)465-9400 • Fax (909)590-1496 • www.TeamLosi.com



Optional Parts

A-9328	NXT Tuned Exhaust Pipe	\$20.00	A-1508	Ball Bearing Rigid Steering Arm Set	\$29.95
A-9330	Pipe Mounting Bracket w/Hardware	\$3.00	A-1509	Plastic only for #A-1508	\$4.00
A-9335	Engine Mount Set w/Hardware	\$12.00	A-5061	.9" Titanium Nitride Shock Shaft	\$7.00
A-9362	Machined Teflon™ Clutch Shoesw/Spring	\$9.00	A-5062	1.2" Titanium Nitride Shock Shaft	\$7.00
A-9363	Clutch Springs for Machined Clutch Shoes	\$3.00	A-9324	Aluminum 180-Degree Header for Non-P.S. Engines	\$12.00
A-9369	Clutch Nut	\$4.00	A-9325	Silicone Exhaust Coupler Tubing 2"	\$2.50
A-9370	Clutch Nut Clips	\$1.50	A-9402	Graphite Brake Arm w/Pad	\$4.00
A-9372	Flywheel w/Pins (2 Pin, Steel)	\$8.00	A-9750	Graphite Front Suspension Arms (LXT, GTX, NXT)	\$12.00
A-9375	Flywheel Pins/Screws	\$3.00	A-9806	1° 'CR' Rear Hub Set	\$7.50
A-9376	Flywheel Collet w/shims	\$3.00	A-9850	Graphite Rear Suspension Arms (LXT, GTX, NXT)	\$12.00
A-9377	18-Tooth Clutch Bell w/76-Tooth Spur Gear (32-Pitch)	\$12.00	A-9922	MIP CVD Driveshafts (XX-T, NXT)	\$34.50
A-9401	Brake Arm w/Pad	\$2.50	A-9941	Bearing Spacer/Wheel Washer Set	\$9.95
A-9403	Brake Pad	\$2.00	A-9940	Aluminum Hardcoated Suspension Balls	3.95
A-9405	Brake/Throttle Linkage Set	\$9.00	A-9945	Titanium Ball Stud with Hex Head .188"	\$9.00
A-9406	Throttle Servo Horn 23-Spline	\$2.00	A-9946	Titanium Ball Stud with Hex Head .250"	\$9.00
A-9407	Throttle Servo Horn 25-Spline	\$2.00	A-9947	Titanium Ball Stud with Hex Head .380"	\$9.00
A-9408	Servo Mounting Set (GTX, NXT)	\$3.00	A-9960	Graphite Center Chassis Brace (GTX, NXT)	\$17.00
A-9409	Throttle Return Spring & Eyelet	\$3.00	A-9961	Graphite Transmission Case Set (NXT, GTX)	\$10.00