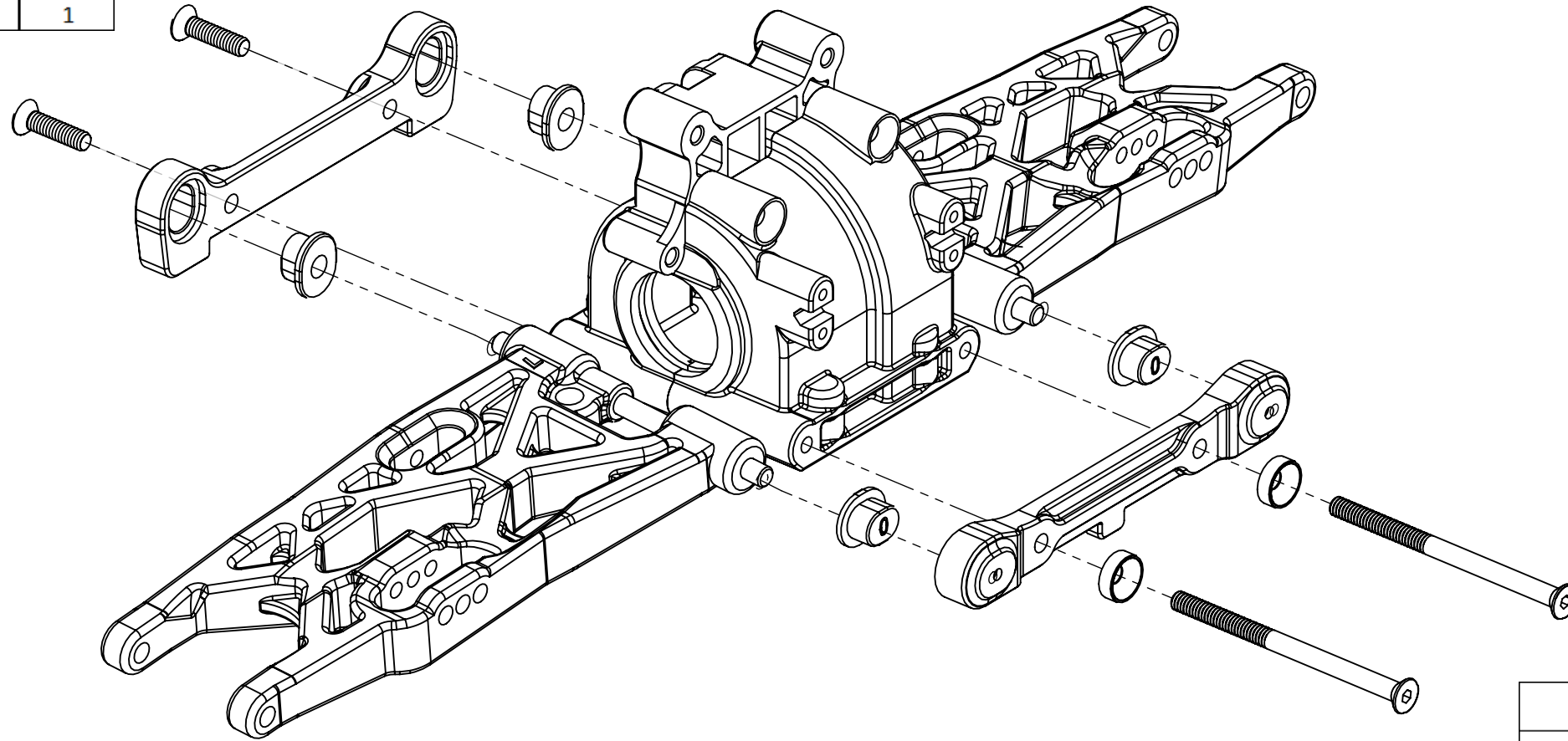


Front Block			Rear Block	
Insert	Hole Location	Angle	Insert	Hole Location
1	Up	12	1	Down
0.5	Up	11	0.5	Down
0	NA	10	0	NA
0.5	Down	9	0.5	Up
1	Down	8	1	Up

Front Block		
Insert	Hole Location	Angle
1	Up	3
0.5	Up	2.5
0	NA	2
0.5	Down	1.5
1	Down	1



Rear Block		
Insert	Hole Location	Angle
1	In	2
0.5	In	2.5
0	NA	3
0.5	Out	3.5
1	Out	4