

Name: <u>Kit Setup</u>		Date: _____	Event: _____
City: _____		State: _____	
Track: _____			
Track Conditions	<input type="checkbox"/> Indoor <input type="checkbox"/> Outdoor	<input type="checkbox"/> Tight <input type="checkbox"/> Open	<input type="checkbox"/> Smooth <input type="checkbox"/> Rough
	<input type="checkbox"/> Hard Packed <input type="checkbox"/> Loose/Loamy	<input type="checkbox"/> Blue Groove <input type="checkbox"/> Dry	<input type="checkbox"/> Wet <input type="checkbox"/> Dusty
	<input type="checkbox"/> Grass <input type="checkbox"/> Astro Turf	<input type="checkbox"/> Low Bite <input type="checkbox"/> Med Bite	<input type="checkbox"/> High Bite <input type="checkbox"/> Other _____

Front Suspension

Toe: 0 degree

Ride Height: 30mm Camber: -1 degree

Caster: 0° 5°

Kick Angle: 20° 25° 30°

VLA Setting: Short Arm Long Arm

Oil: 32.5wt.

Piston: 2 x 1.6mm (TLR233009)

Spring: Standard Low Freq. Color: Black, 22T

Front Pivot: Aluminum Plastic HRC

Kick Shim: Brass Plastic

Shock Limiters: None Stroke: 31mm

Shock Location: 2-Outside

Steering Type: Slide Rack Bell Cranks

Spindle Ball Stud: Standard Low Mount

Bumper Steer Spacers: 1mm

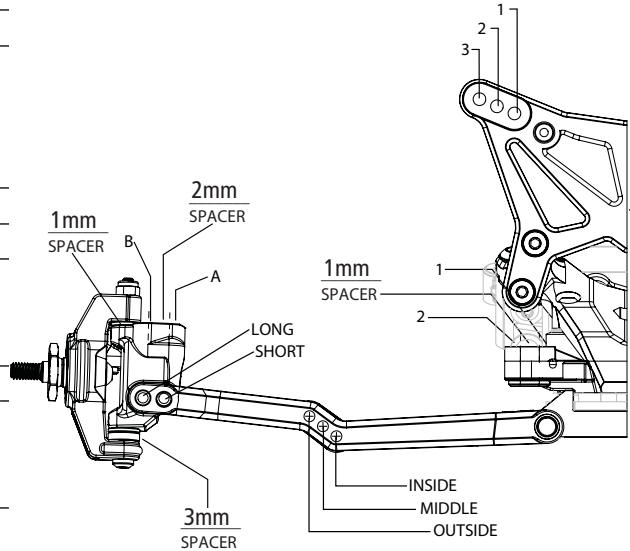
Ackerman Ball Stud: Standard Low Mount

Ackerman Spacers: 1mm

Ackerman Arm: #1 #2 #3 _____

Trail: 2mm 3mm 4mm

Camber Link: 2-B



Notes: _____

Rear Suspension

Transmission Type: 3-Gear 4-Gear

Toe Inserts: 0.5° 1° 1.5° 2° 2.5° 3° 3.5° 4°

Anti-Squat Inserts: 0° 0.5° 1° 1.5° 2° 2.5° 3°

Roll Center: Low Roll Center (LRC) High Roll Center (HRC)

Ride Height: 29mm Camber: -1.5 degrees

Rear Hub Spacing: Middle (2mm front, 2mm rear)

Hex Width: Standard 22

Sway Bar: None

Oil: 32.5wt.

Piston: 2 x 1.6mm (TLR233009)

Spring: Standard Low Freq. Color: Pink

Shock Limiters: 7mm Stroke: _____

Shock Location: 3-Middle

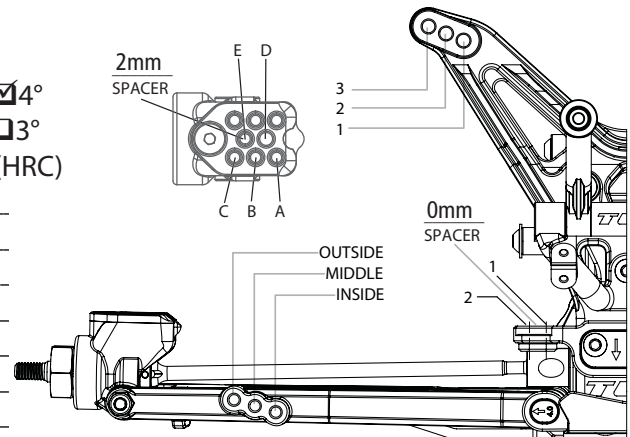
Inner Link Spacer: -1mm 0mm +1mm

Camber Link: 1-E

Body: TLR 22SCT 2.0

Battery Position: _____

Diff Type: Ball Gear Setting: Tight



Electronics

Radio: _____ Timing Advance: _____

Servo: _____ Throttle/Brake Expo: _____

ESC: _____ Servo Expo: _____

Initial Brake: _____ Throttle/Brake EPA: _____

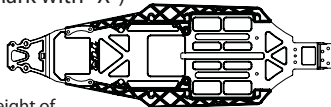
Drag Brake: _____ Motor: _____

Pinion: _____ Spur: 84T

Throttle Profile: _____ Battery: _____

Weight Placement

(Mark with "X")



Weight of each piece _____ oz./g

Tires:	Compound	Insert	Additive
Front: _____	_____	_____	_____
Rear: _____	_____	_____	_____
Notes: _____	_____		