

# Setup Sheet



Name: TEN-SCT Date: 5/1/12 Event: \_\_\_\_\_

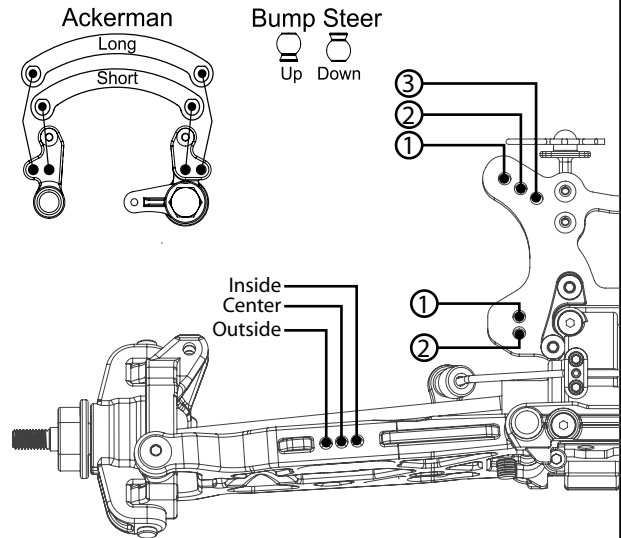
City: \_\_\_\_\_ State: \_\_\_\_\_ Track: \_\_\_\_\_

Track  Indoor  Tight  Smooth  Hard Packed  Blue Groove  Wet  Low Bite  High Bite  
 Conditions  Outdoor  Open  Rough  Loose/Loamy  Dry  Dusty  Med Bite  Other \_\_\_\_\_

## Front Suspension

Toe: 1 degrees OUT  
 Ride Height: 29.0mm  
 Camber: 0 degree  
 Caster: stock/20 degrees  
 Sway Bar: 2.0mm  
 Piston/Oil: 3/30wt  
 Spring: Gold/Hard  
 Limiter/Droop: \_\_\_\_\_  
 Overall Shock Length: 85mm Center to Center  
 Steering Ackerman: Long  
 Bump Steer: Up  
 Camber Link: Position 1  
 Shock Location: Position 1/Outside  
 Front Diff Fluid: 10000 weight oil

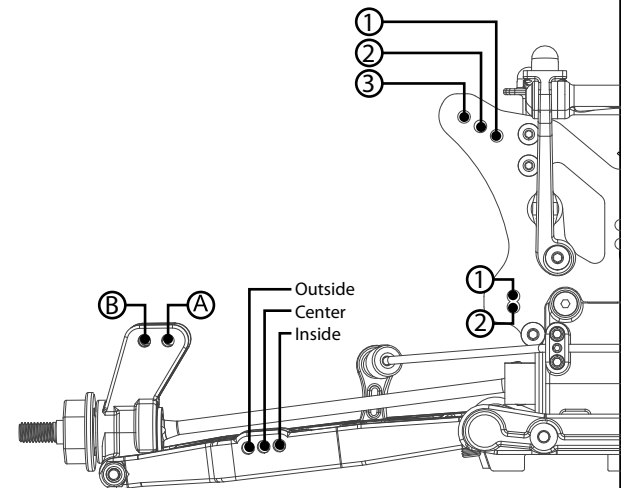
Center Diff Fluid: 10000 weight oil



Notes: \_\_\_\_\_  
 \_\_\_\_\_  
 \_\_\_\_\_

## Rear Suspension

Toe: 3 degrees  
 Anti-Squat: 2 degrees  
 Ride Height: 28.0mm  
 Camber: -2.5 degrees  
 Rear Hub Spacing: All the way back  
 Sway Bar: 1.8mm  
 Piston/Oil: 3/30wt  
 Spring: Black/Medium  
 Limiter/Droop: \_\_\_\_\_  
 Overall Shock Length: 100.8mm Center to Center  
 Camber Link: Position 2 - A  
 Shock Location: Position 2 - Inside  
 Rear Diff Fluid: 10000 weight oil



Notes: \_\_\_\_\_  
 \_\_\_\_\_  
 \_\_\_\_\_

## Other

Engine: Losi 3.4  
 Fuel: \_\_\_\_\_  
 Battery: Stock Gearing: \_\_\_\_\_

## Notes

\_\_\_\_\_  
 \_\_\_\_\_  
 \_\_\_\_\_  
 \_\_\_\_\_