

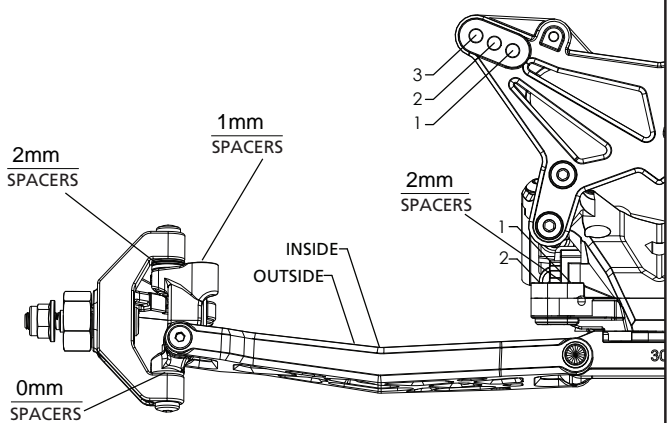
Name: Travis Brock - Stock Racing Setup Date: August 5th, 2012 Event: Club Racing

City: SoCal State: CA Track: OCRC, WCRC, and Airland Hobbies

Track Conditions:  Indoor  Tight  Smooth  Hard Packed  Blue Groove  Wet  Grass  Low Bite  High Bite  
 Outdoor  Open  Rough  Loose/Loamy  Dry  Dusty  Astro Turf  Med Bite  Other \_\_\_\_\_

**Front Suspension**

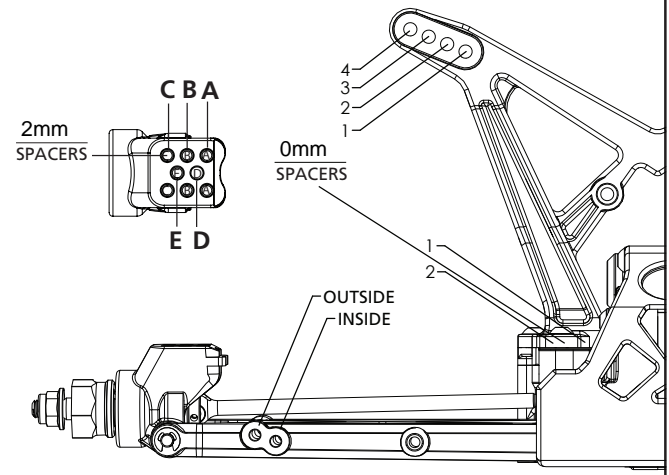
Toe: 0 degrees  
 Ride Height: 28mm (body off)  
 Camber: -1 degree  
 Caster:  0°  3°  5°  10°  
 Kick Angle:  20°  25°  30°  
 Sway Bar: White (1.0mm)  
 Shock Type:  Bladder  Emulsion Oil: 27.5wt Losi  
 Piston: 57 x 4  
 Spring: Blue (TLR5183)  
 Shock Limiters: 1mm  
 Shock Location: 2 - Outside  
 Bump Steer: 0mm  
 Camber Link: 1



Notes: Aluminum Front Pivot (TLR1072), Front Sway Bar Kit (TLR334001)

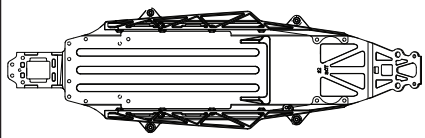
**Rear Suspension**

Chassis Configuration:  Rear Motor  Mid Motor  
 Differential:  Ball Diff  Gear Diff Gear Diff Fluid: \_\_\_\_\_  
 Toe: 3.0 LRC  
 Anti-Squat: 2 degrees  
 Roll Center:  Low Roll Center (LRC)  High Roll Center (HRC)  
 Ride Height: 28mm (body off)  
 Camber: -1 degree  
 Rear Hub Spacing: Forward (4mm rear)  
 Hex Width: Stock  
 Sway Bar: Yellow (1.2mm)  
 Shock Type:  Bladder  Emulsion Oil: 27.5wt Losi  
 Piston: 55 x 4  
 Spring: White Buggy (TLR5166)  
 Shock Limiters: 3mm  
 Camber Link: 1-B  
 Shock Locations: 2 - Outside  
 Battery Position: 4 foam pad behind Xcelorin 3800mAh 60C



**Electronics**  
 Radio: DX3R Pro Timing Advance: Blinky  
 Servo: SPM S6040 Throttle/Brake Expo: -  
 ESC: Orion R10 Pro Servo Expo: -  
 Initial Brake: Drag Throttle/Brake EPA: 100/73  
 Drag Brake: 13% Motor: Schuur Speed 17.5 @ 35dg  
 Throttle Profile: 7 Pinion: 28 Spur: 76  
 Battery: Xcelorin 3800mAh 60C

**Weight Placement (Mark with "X")**



Weight of each piece \_\_\_\_\_ oz./g

| Tires                      | Compound    | Insert       | Additive              |
|----------------------------|-------------|--------------|-----------------------|
| Front: <u>JC Bar Codes</u> | <u>Gold</u> | <u>Stock</u> | <u>Trackstar Gold</u> |
| Rear: <u>JC Bar Codes</u>  | <u>Gold</u> | <u>Stock</u> | <u>Trackstar Gold</u> |

Notes: Aluminum Rear Camber Block (TLR2060), Ball Diff Tight and Slipper Locked, 7g of weight on top of tranny mount (TLR4167)