

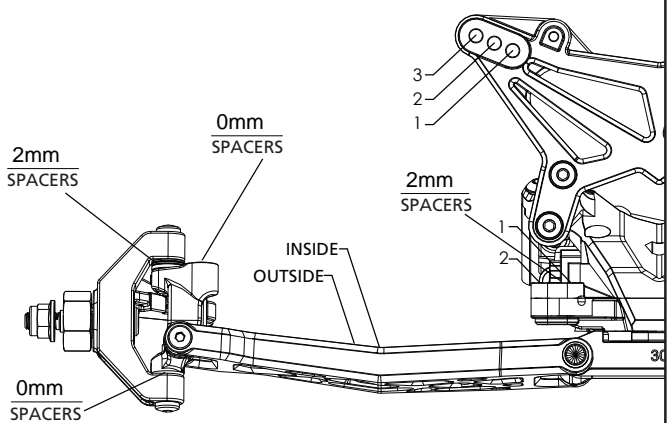
Name: TLR Team Date: July 18-22, 2012 Event: Off-Road Shootout

City: Saugus State: CA Track: Hot Rod Hobbies

Track Conditions: Indoor Tight Smooth Hard Packed Blue Groove Wet Grass Low Bite High Bite
 Outdoor Open Rough Loose/Loamy Dry Dusty Astro Turf Med Bite Other _____

Front Suspension

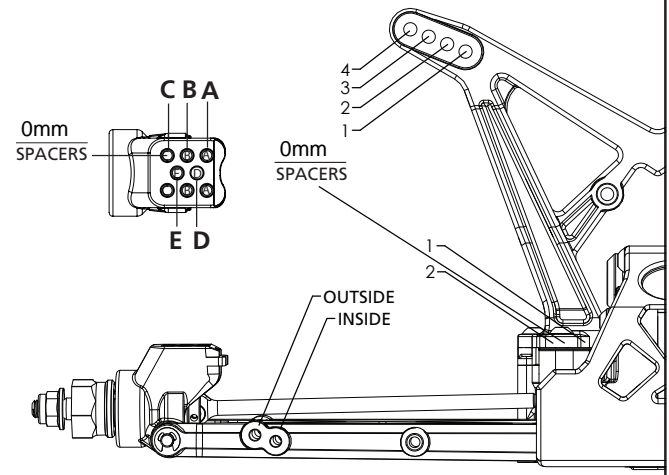
Toe: 0 degrees
 Ride Height: 31mm (body on)
 Camber: -1 degree
 Caster: 0° 3° 5° 10°
 Kick Angle: 20° 25° 30°
 Sway Bar: Pink (1.5mm)
 Shock Type: Bladder Emulsion Oil: 37.5 Losi
 Piston: 55 x 4
 Spring: Black (TLR5184)
 Shock Limiters: 1mm
 Shock Location: 1 - Outside
 Bump Steer: 0mm
 Camber Link: 1 (inside)



Notes: Aluminum Front Pivot (TLR1072), TLR Front Sway Bar Kit (TLR334001)

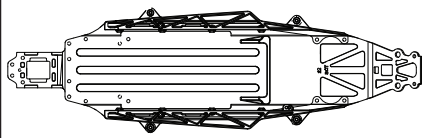
Rear Suspension

Chassis Configuration: Rear Motor Mid Motor
 Differential: Ball Diff Gear Diff Gear Diff Fluid: _____
 Toe: 3.0 LRC
 Anti-Squat: 2 degrees
 Roll Center: Low Roll Center (LRC) High Roll Center (HRC)
 Ride Height: 29mm (body on)
 Camber: -1.5 degrees
 Rear Hub Spacing: Forward (4mm rear)
 Hex Width: +1.5mm (TLR2935)
 Sway Bar: Yellow (1.2mm)
 Shock Type: Bladder Emulsion Oil: 35wt Losi
 Piston: 55 x 4
 Spring: Pink (TLR5178)
 Shock Limiters: 2mm
 Camber Link: 1 - E
 Shock Locations: 2 - Outside
 Battery Position: Full Forward



Electronics
 Radio: DX3R Pro Timing Advance: -
 Servo: SPM S6040 Throttle/Brake Expo: -
 ESC: Orion R10 Pro Servo Expo: -
 Initial Brake: Drag Br. Throttle/Brake EPA: 100/75
 Drag Brake: 10% Motor: Orion Vortex 6.5T
 Throttle Profile: 5 Pinion: 16 Spur: 86
 Battery: Carbon Pro 5000mAh 90C

Weight Placement (Mark with "X")



Weight of each piece _____ oz./g

Tires	Compound	Insert	Additive
Front: <u>Depends on Driver</u>	_____	_____	_____
Rear: _____	_____	_____	_____

Notes: Aluminum Rear Camber Block (TLR2060), TLR Rear Sway Bar Kit (TLR334002). Be sure to clearance hub for long and low 1-E link.