

Name: _____	Date: _____	Event: _____
City: _____	State: _____	
Track: _____		
Track Conditions: <input type="checkbox"/> Indoor <input type="checkbox"/> Tight <input type="checkbox"/> Smooth <input type="checkbox"/> Hard Packed <input type="checkbox"/> Blue Groove <input type="checkbox"/> Wet <input type="checkbox"/> Grass <input type="checkbox"/> Low Bite <input type="checkbox"/> High Bite <input type="checkbox"/> Outdoor <input type="checkbox"/> Open <input type="checkbox"/> Rough <input type="checkbox"/> Loose/Loamy <input type="checkbox"/> Dry <input type="checkbox"/> Dusty <input type="checkbox"/> Astro Turf <input type="checkbox"/> Med Bite <input type="checkbox"/> Other _____		

**Front Suspension**

Toe: \_\_\_\_\_

Ride Height: \_\_\_\_\_

Camber: \_\_\_\_\_

Caster:  0°  3°  5°  10°

Kick Angle:  20°  25°  30°

Sway Bar: \_\_\_\_\_

Shock Type:  Bladder  Emulsion Oil: \_\_\_\_\_

Piston: \_\_\_\_\_

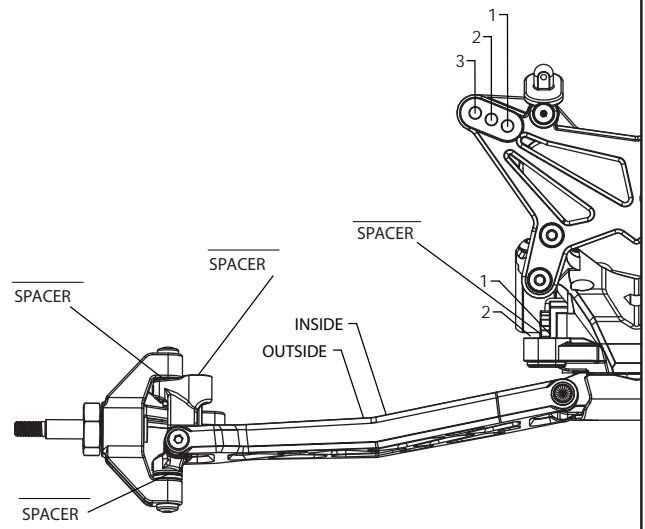
Spring: \_\_\_\_\_

Shock Limiters: \_\_\_\_\_

Shock Location: \_\_\_\_\_

Bump Steer: \_\_\_\_\_

Camber Link: \_\_\_\_\_



Notes: \_\_\_\_\_

\_\_\_\_\_

\_\_\_\_\_

**Rear Suspension**

Chassis Configuration:  Rear Motor  Mid Motor

Differential:  Ball Diff  Gear Diff Gear Diff Fluid: \_\_\_\_\_

Toe: \_\_\_\_\_

Anti-Squat: \_\_\_\_\_

Roll Center:  Low Roll Center (LRC)  High Roll Center (HRC)

Ride Height: \_\_\_\_\_

Camber: \_\_\_\_\_

Rear Hub Spacing: \_\_\_\_\_

Hex Width: \_\_\_\_\_

Sway Bar: \_\_\_\_\_

Shock Type:  Bladder  Emulsion Oil: \_\_\_\_\_

Piston: \_\_\_\_\_

Spring: \_\_\_\_\_

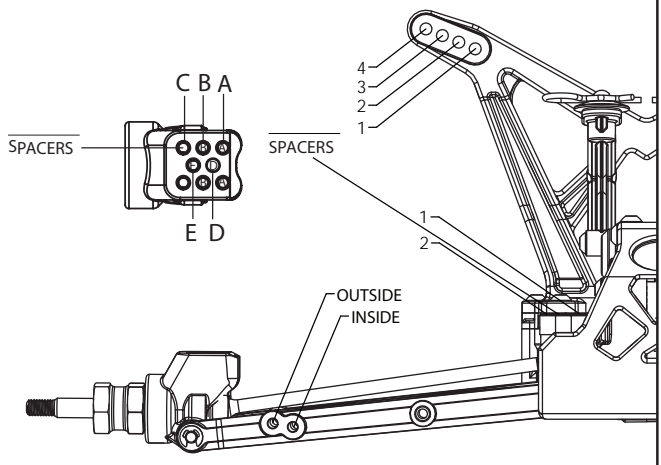
Shock Limiters: \_\_\_\_\_

Camber Link: \_\_\_\_\_

Shock Locations: \_\_\_\_\_

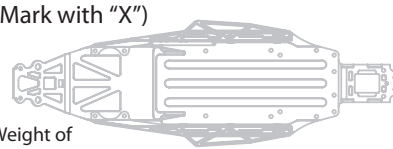
Spoiler: \_\_\_\_\_

Battery Position: \_\_\_\_\_



**Electronics**

Radio: _____	Timing Advance: _____
Servo: _____	Throttle/Brake Expo: _____
ESC: _____	Servo Expo: _____
Initial Brake: _____	Throttle/Brake EPA: _____
Drag Brake: _____	Motor: _____
Throttle Profile: _____	Pinion: _____ Spur: _____
	Battery: _____

Weight Placement (Mark with "X")    Weight of each piece _____ oz./g	Tires Front: _____  Rear: _____  Notes: _____	Compound _____  _____	Insert _____  _____	Additive _____  _____
--	--	--------------------------------	------------------------------	--------------------------------